

**KPC-S20**

+ zoom

- 1/3" Sony Super HAD CCD
- Standard Resolution of 420TV Lines
- Min. Illumination of 0.05Lux/F2.0
- Fixed Iris Board , Pinhole Lens
- Super Compact size of 22.4mm(W)×23(H)□
- Noise, ghost and blooming free
- Reverse power input safety circuit built-in
- Options : 1/3" Sony Exview CCD, High-Resolution(600TV Lines)

[Related Downloads](#)
**OPTIONAL LENS**
**KPC-S20P1****KPC-S20P3****KPC-S20P4**
**SPECIFICATION**

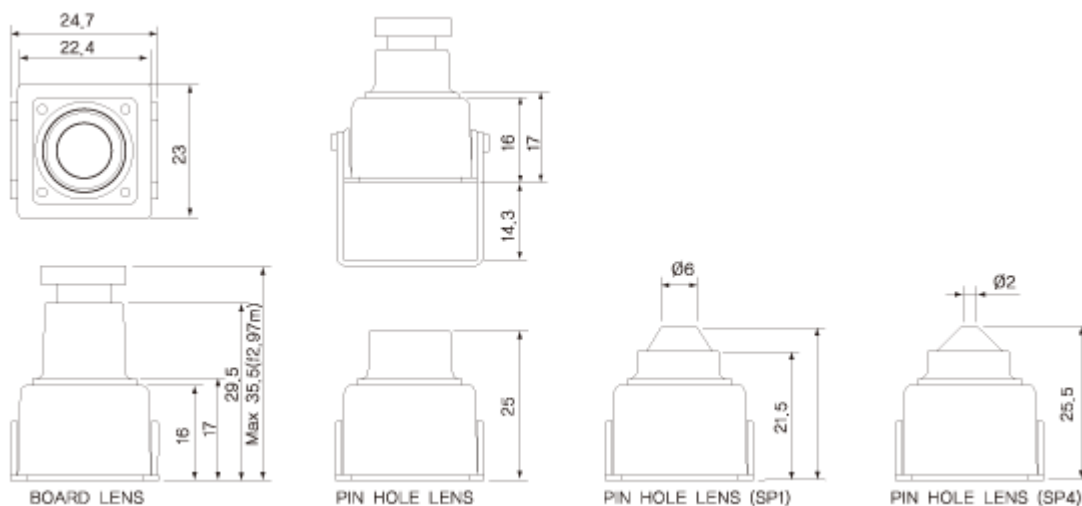
Model Name	KPC-S20
Image Device	1/3" SONY Super HAD CCD
Scanning System	2:1 Interlace
Scanning Frequency	EIA : 15.734 KHz(H), 59.94 Hz(V)
	CCIR : 15.625 KHz(H), 50 Hz(V)
H. Resolution	420 TVL
Total Pixels	EIA : 537(H) x 505(V) / CCIR : 537(H) x 597(V)
Effective Pixels	EIA : 510(H) x 492(V) / CCIR : 500(H) x 582(V)
S/N Ratio	More than 50dB (AGC Off)
Min. Illumination	0.05 Lux / F 2.0
Sync. System	Internal
Gamma	$\gamma = 0.45$
Video Output	1.0 Vp-p Composite (75 $\Omega$ )
Lens	Fixed Board Lens / Pinhole Lens
Electronic Shutter	EIA : 1/60 ~ 1/100,000 sec / CCIR : 1/50 ~ 1/100,000 sec
Operating Temperature	14°F ~ 122°F (-10°C ~ +50°C)
Storage Temperature	-4°F ~ 140°F (-20°C ~ +60°C)
Humidity	Less than 80%

Power Consumption	DC12V ( $\pm 10\%$ ), Max. 100mA
Dimensions (mm)	22.4 (W) X 23 (H) X 23 (D)
Weight	Approx. 61g

➤ LENS OPTIONS

Type	Board Lens								Pinhole Lens		
									P1	P3	P4
Focal Length	2.45	2.97	3.6	4.3	6	8	12	16	3.7	3.7	4.3
Aperture	F2.0	F2.0	F2.0	F2.0	F2.0	F2.0	F2.2	F2.5	F2.0	F2.0	F2.0
Angle of View	110°	95°	73°	61°	38°	30°	19°	15°	63.5°	63.5°	60.6°

➤ DIMENSIONS



➤ MOUNTING POSITION

