

KPC-S20C

+ zoom

- 1/4" Sony Super HAD CCD
- Standard Resolution of 380TVL
- Fixed Iris Board , Pinhole Lens
- Min. Illumination of 0.5 Lux/F2.0
- Compact Size of 22mm(W)x22mm(H)
- Attractive Design with Non-Reflective Coating
- Reverse Power Input Safety Circuit Built-in
- Option : Mirror Mode

[Related Downloads](#)
OPTIONAL LENS


KPC-S20CP1



KPC-S20CP3



KPC-S20CP4

SPECIFICATION

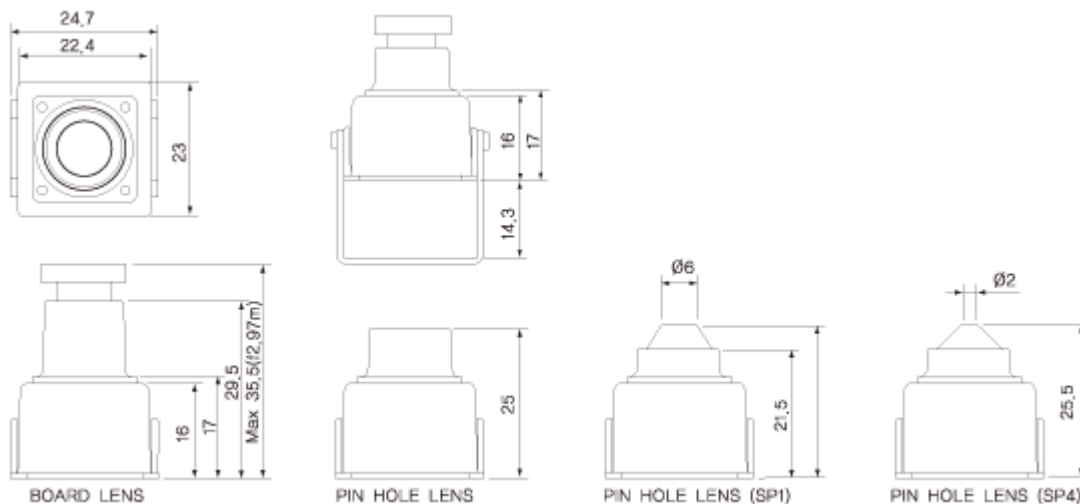
Model Name	KPC-S20C
Image Device	1/4" SONY Super HAD CCD
Scanning System	2:1 Interlace
Scanning Frequency	NTSC : 15.734 KHz(H), 59.94 Hz(V)
	PAL : 15.625 KHz(H), 50 Hz(V)
H. Resolution	380 TVL
Total Pixels	NTSC : 537(H) x 505(V) / PAL : 537(H) x 597(V)
Effective Pixels	NTSC : 510(H) x 492(V) / PAL : 500(H) x 582(V)
S/N Ratio	More than 48dB (AGC Off)
Min. Illumination	0.5 Lux / F2.0
Sync. System	Internal
Gamma	$\gamma = 0.45$
Video Output	1.0 Vp-p Composite (75 Ω)
Lens	Fixed Board Lens / Pinhole Lens
Electronic Shutter	NTSC : 1/60 ~ 1/100,000 sec / PAL : 1/50 ~ 1/100,000 sec
Operating Temperature	14°F ~ 122°F (-10°C ~ +50°C)
Storage Temperature	-4°F ~ 140°F (-20°C ~ +60°C)
Humidity	Less than 80%

Power Consumption	DC12V (±10%), Max. 140mA
Dimensions (mm)	22.4 (W) X 23 (H) X 29.5 (D)
Weight	Approx. 76g

➤ LENS OPTIONS

Type	Board Lens								Pinhole Lens		
									P1	P3	P4
Focal Length	2.45	2.97	3.6	4.3	6	8	12	16	3.7	3.7	4.3
Aperture	F2.0	F2.0	F2.0	F2.0	F2.0	F2.0	F2.2	F2.5	F2.0	F2.0	F2.0
Angle of View	110°	95°	73°	61°	38°	30°	19°	15°	63.5°	63.5°	60.6°

➤ DIMENSIONS



➤ MOUNTING POSITION

