

**KPC-S400**

+ zoom

- › 1/3" Sony Super HAD CCD
- › Standard Resolution of 420TVL
- › Min. Illumination of 0.05Lux/F2.0
- › Fixed Iris Board , Pinhole, Vari-Focal Lens
- › Compact size of 30mm(W)x30mm(H)
- › Attractive Design with Non-Reflective Coating
- › Options : 1/3" Sony Exview CCD, Audio, High Resolution(600TVL)

[Related Downloads](#)
**OPTIONAL LENS**


KPC-S400P



KPC-S400P1



KPC-S400P3



KPC-S400P4

**SPECIFICATION**

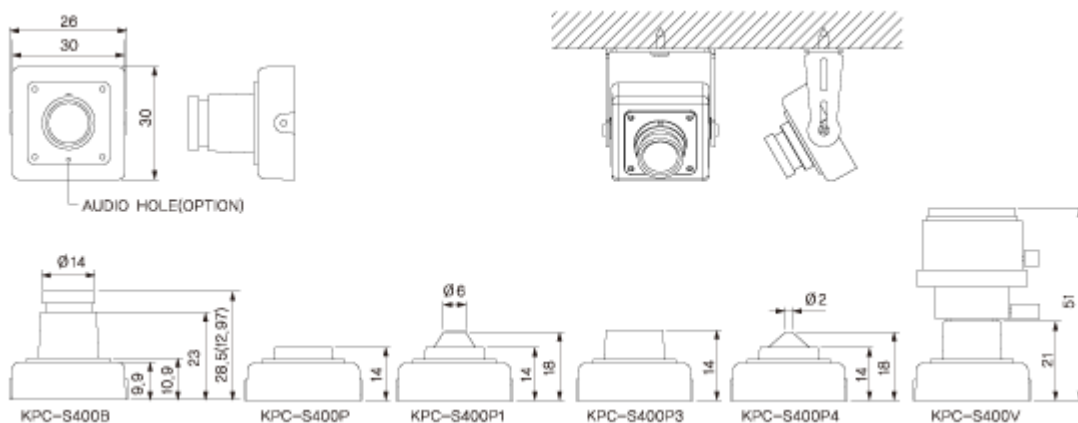
Model Name	KPC-S400
Image Device	1/3" SONY Super HAD CCD
Scanning System	2:1 Interlace
Scanning Frequency	EIA : 15.734 KHz(H), 59.94 Hz(V)
	CCIR : 15.625 KHz(H), 50 Hz(V)
H. Resolution	420 TVL
Total Pixels	EIA : 537(H) x 505(V) / CCIR : 537(H) x 597(V)
Effective Pixels	EIA : 510(H) x 492(V) / CCIR : 500(H) x 582(V)
S/N Ratio	More than 50dB (AGC Off)
Min. Illumination	0.05 Lux / F 2.0
Sync. System	Internal
Gamma	$\gamma = 0.45$
Video Output	1.0 Vp-p Composite (75 $\Omega$ )
Lens	Fixed Board Lens / Pinhole Lens / Vari-Focal Lens
Electronic Shutter	EIA : 1/60 ~ 1/100,000 sec / CCIR : 1/50 ~ 1/100,000 sec
Operating Temperature	14°F ~ 122°F (-10°C ~ +50°C)
Storage Temperature	-4°F ~ 140°F (-20°C ~ +60°C)
Humidity	Less than 80%
Power Consumption	DC12V ( $\pm 10\%$ ), Max. 120mA

Dimensions (mm)	30 (W) X 30 (H) X 23 (D)
Weight	Approx. 81g

➤ LENS OPTIONS

Type	Board Lens								Pinhole Lens				Fixed Iris Varifocal Lens
	P	P1	P3	P4									
Focal Length	2.45	2.97	3.6	4.3	6	8	12	16	3.7	3.7	3.7	4.3	4.0 ~ 8.0
Aperture	F2.0	F2.0	F2.0	F2.0	F2.0	F2.0	F2.2	F2.5	F2.0	F2.0	F2.0	F2.0	F2.0 ~ 2.8
Angle of View	150°	130°	92°	78°	53°	40°	28°	19°	90°	90°	90°	78°	89.2° ~ 44.2°

➤ DIMENSIONS



➤ MOUNTING POSITION

