

# Video Security



## PM-6D

Pole Mount Adapter for 2 Wall Mounts,  
(50-140mm Pole), RAL9002

**Art-No. 79593**



## Features

**For Pole Mounting**  
**Fixing for 2 Wall Brackets**  
**For Housing series: VTL, VTL-WW, VHK and VHK-WW**

**Rugged Construction**  
**Ready for Installation**

## Specifications

<b>For pole diameters</b>	50 ~ 140mm
<b>Material</b>	Di-cast aluminium
<b>Load capacity</b>	15kg
<b>Colour</b>	RAL9002
<b>Kind of mounting</b>	Screw-fixed mounting brackets
<b>Dimensions (HxWxD)</b>	See drawing

## Accessories of

<b>79750 / WD-5/MK</b>	Wall Mount with Swivel Head for weatherproof Housing, black
<b>79792 / WD-7/MK RAL7032</b>	Wall Mount with Swivel Head for Outdoor Housings, RAL7032
<b>79790 / WD-7/MK</b>	Wall Mount with Swivel Head for VTL Series Outdoor Housings, black
<b>79488 / VTL-WWA</b>	Weatherproof Housing (300mm) with Heater Thermostat, Wallbracket, RAL9002, 230VAC
<b>79553 / VTL-WWC</b>	Weatherproof Housing (300mm) with Heater Thermostat, Wallbracket, RAL9002, 12VDC
<b>79559 / VHK-W/ECKA</b>	Weatherproof Housing (270mm) w. Heater Thermostat, Wallbracket, RAL9002, 230VAC
<b>79558 / VHK-DP/EC</b>	Dustproof Housing (270mm) with Wallbracket, RAL9002

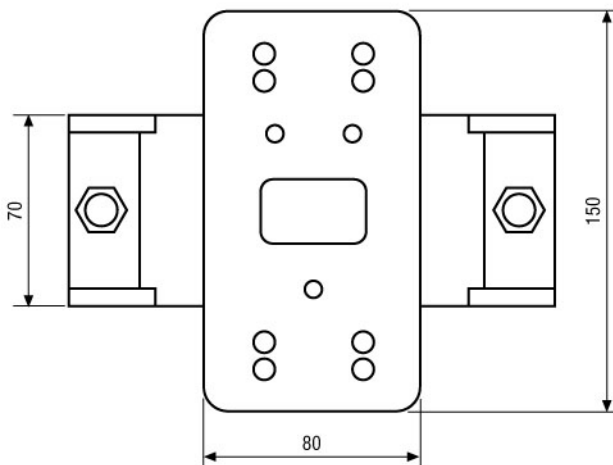
## PM-6D

(Accessories of continued)

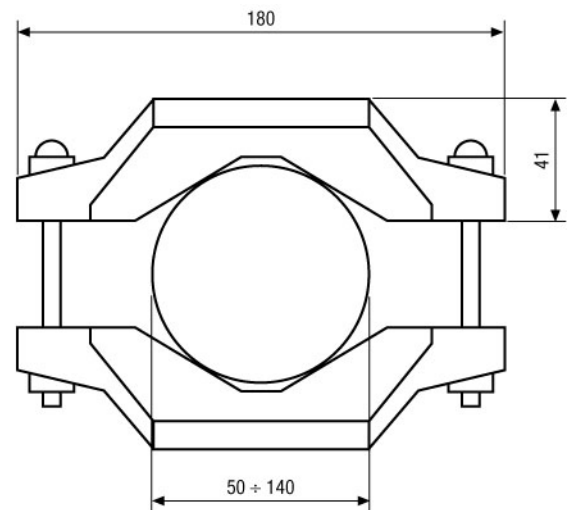
<b>79564 / VHK-W/STKA</b>	Weatherproof Housing (270mm) w. Heater Thermostat, Wallbracket, RAL9002, 230VAC
<b>79484 / VTL-W/N2</b>	Weatherproof Housing (300mm) with Heater/Thermostat, 230VAC
<b>79597 / VHK-WWA</b>	VHK housing 270m with Sunshield, Heater 230VAC, Wallbracket, RAL9002
<b>79644 / VTL-WWD</b>	Weatherproof Housing (300mm) RAL9002, Wallbracket, Thermostat, Heater 12-24V
<b>79638 / WD-28</b>	Wall Bracket for Raytec IR LED Illuminators Series

## Product Information

\*) Fitted for the wall brackets WD-5/MK, WD-7/MK, und WD-10 as well (Attention: different finish)



Montageplatte  
Bracket holder



Maße/Dimensions: mm

CamTech Industriel Video ApS  
Your Contact: Sales Department  
Industriparken 4 · 2750 Ballerup  
Phone +45 44 68 02 67 · Fax +45 44 68 60 52  
info@camtech.dk · www.camtech.dk

**CamTech**  
INDUSTRIEL VIDEO APS