

## WATERPROOF CAMERA

# SK-P160, SK-P170

### Features

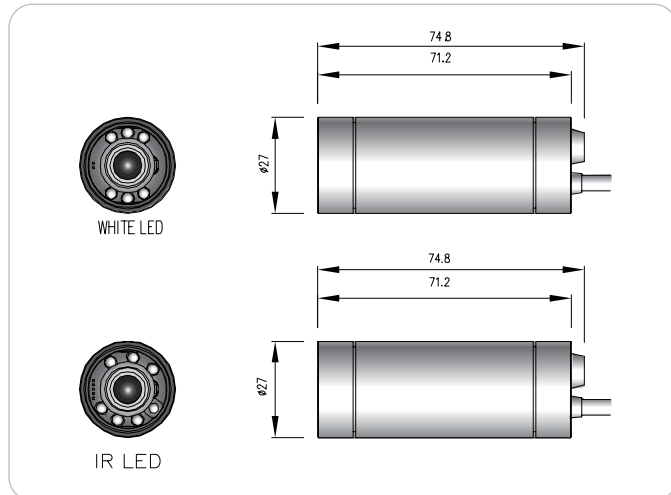
- Waterproof(IP68)
- 1/3" COLOR SONY SUPER HAD CCD II : SK-P160
- 1/3" COLOR SONY SUPER HAD CCD : SK-P170
- Automatically LEDs ON/OFF by lighting(IR LED Type)
- Built-in IR LEDs or White LEDs(6EA)
- High Resolution : SK-P160



PIPE  
CAMERA

### Dimension

Unit : mm



### Specification

MODEL	SK-P160	SK-P170
Image Sensor	1/3" COLOR SONY SUPER HAD CCD II	1/3" COLOR SONY SUPER HAD CCD
Pixel	410K	270K
Resolution	500TV-Line	380TV-Line
Sync. Type	Internal	
Scanning	2:1 Interlace	
Video Output	1.0Vp-p(Sync.Negative) Termination 75Ω	
S/N Ratio	45dB(AGC OFF)	
Min. Illumination	0Lux(5m Range) : IR LED ON 0Lux(4m Range) : White LED ON 0.01Lux : LED OFF	0Lux(3m Range) : IR LED ON 0Lux(3m Range) : White LED ON 0.1Lux : LED OFF
Lens	Fixed focal lens	
Gamma	γ=0.45 typ.	
Gain Control	Automatic	
Shutter Speed	1/60(1/50) ~ 1/100,000sec	
Power Supply	Regulated 12V DC ±10%	
Current Consumption	Max. 280mA(at 12V DC, W/White LED) Max. 300mA(at 12V DC, W/IR LED)	
Operation Temp.	-10°C ~ 50°C	
Preservation Temp.	-20°C ~ 60°C	
Dimension	Ø27x74.8(D)mm(W/O Sunvisor)	
Weight	Approx. 100g	