

Video Security



VHM/DP-ECL210

Dustproof Housing (210mm), RAL7032

Art-No. 79583



Features

Camera Protection

Housing Body Length: 210mm

Fold-down Housing Body

4 Levels of Camera Height Adjustment

Insulated Camera Mounting

3 Cable Entries

Viewing Screen with "Clear-Shield" Technology

Incorporated Carrier Handle

Housing Surface: RAL7032

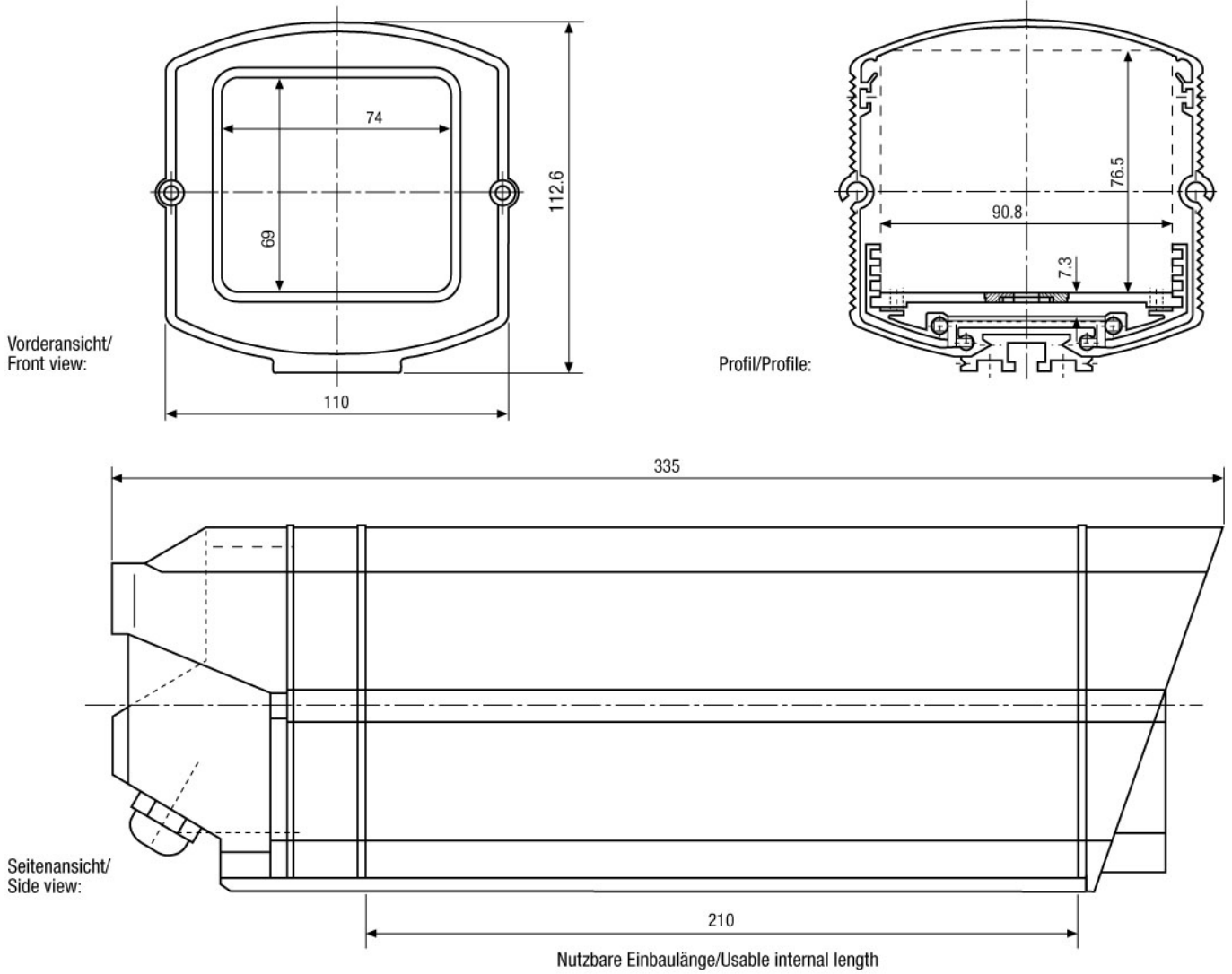
Option: Cable Distributor Board

Specifications

Maximum installation length	210 mm
Length for power supply	NE-112 (1 output): 85 mm, NE-112/2 (2 outputs): 110 mm
Cable entries	3x M16 x 1.5mm
Window screen	Coated with "Clear Shield" Technology. With this technology the glass corrosion, caused by environmental pollution, is avoided and screen cleaning cycles will be extended. The coating is UV light resistant, colour neutral and it causes no F-stop loss.
Window heater	None
Sunshield	None
Housing	Aluminium w. plastic end caps
Colour	RAL 7032
Protection rating	IP 66
Parts supplied	Screw set, 3mm Allen wrench key
Dimensions (HxWxD)	See drawing
Weight	1.3 kg

Accessories

73064 / WD-16/MK	Wall Mount with Swivel Head for VHB/VHM Weatherproof Housings, RAL7032
79491 / NE-112/AC24V	Power Supply Unit 230VAC/24VAC (600mA) for VHM Housing
73082 / WD-14/MKL	Wall Mount with Swivel Head for Weatherproof Housings, RAL7032
79423 / NE-112/2	Power Supply Unit 230VAC/12VDC (600mA), Regulated, 24VAC (1000mA) f. VHM Housing
79364 / NE-112	Power Supply Unit 230VAC/12VDC (600mA) for VHM Housing, Regulated
79627 / VHM/KV2	Cable Connection Board with Thermostat for VHM Housing, "EC" Series



Maße/Dimensions: mm

CamTech Industriel Video ApS
 Your Contact: Sales Department
 Industriparken 4 · 2750 Ballerup
 Phone +45 44 68 02 67 · Fax +45 44 68 60 52
 info@camtech.dk · www.camtech.dk