

Video Security



VHM/ECLKB-210

Weatherproof Housing (210mm) with
Heater, Thermostat, CBD, RAL7032, 24VAC

Art-No. 79555



Features

Camera Weatherprotection

Housing Body Length: 210mm

Fold-down Housing Body

4 Levels of Camera Height Adjustment

Insulated Camera Mounting

Integrated Connection Board

3 Cable Entries

Screen Heater 12-30V Included

Viewing Screen with "Clear-Shield" Technology

Incorporated Carrier Handle

Housing Surface: RAL7032

Specifications

Maximum installation length	210 mm
Length for power supply	NE-112 (1 output): 85 mm; NE-112/2 (2 outputs): 110 mm
Cable entries	3x M16x1.5mm
Window screen	Coated with "Clear Shield" Technology. With this technology the glass corrosion, caused by environmental pollution, is avoided and screen cleaning cycles will be extended. The coating is UV light resistant, colour neutral and it causes no F-stop loss.
Window heater	12-30VAC/DC - approx. 9watts
Thermostat	On: +16°C, Off: +20°C
Sunshield	Yes
Housing	Aluminium w. plastic end caps
Colour	RAL 7032
Protection rating	IP 66
Parts supplied	Screw set, thermostat, screw terminal
Dimensions (HxWxD)	See drawing
Weight	2.2 kg

73064 / WD-16/MK

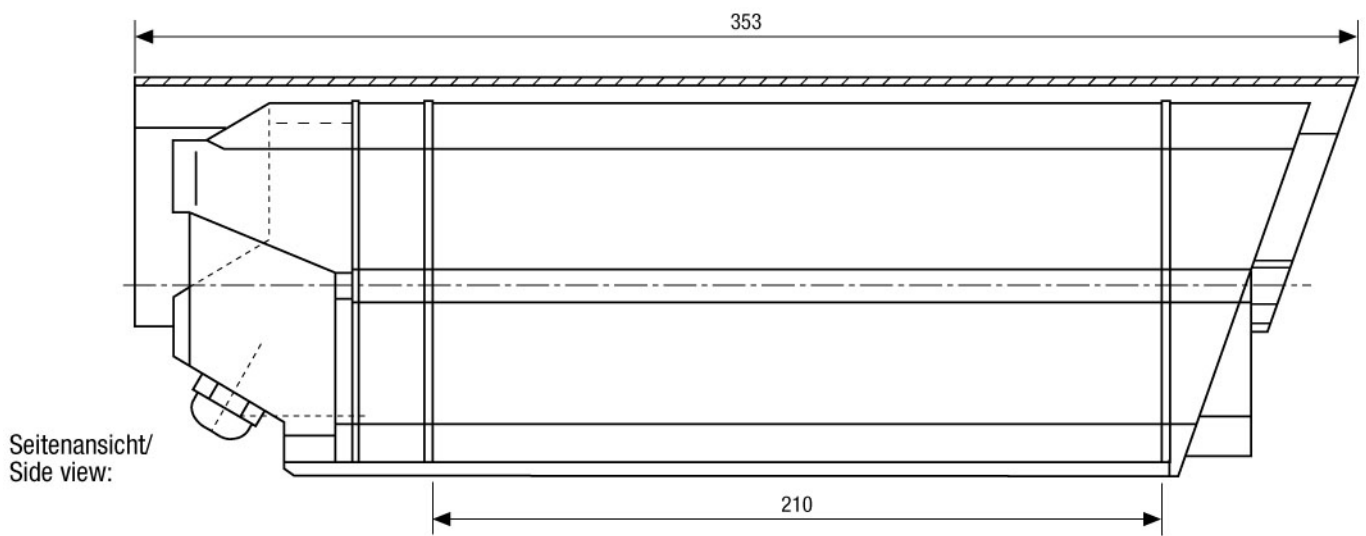
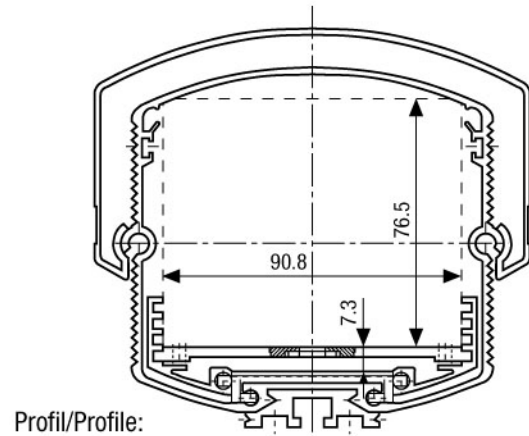
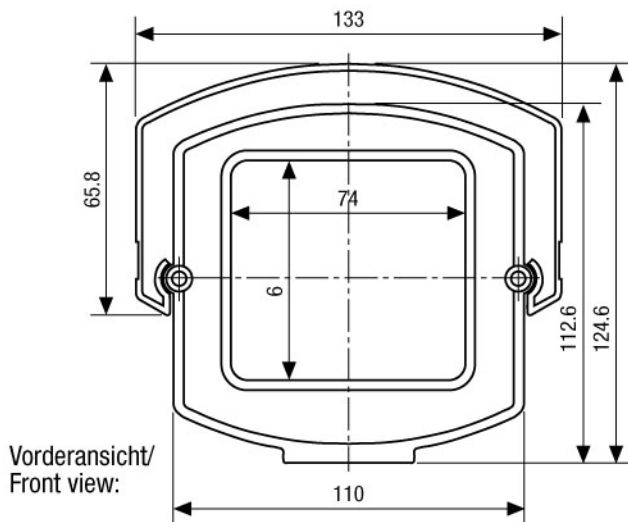
Wall Mount with Swivel Head for VHB/VHM Weatherproof Housings, RAL7032

73082 / WD-14/MKL

Wall Mount with Swivel Head for Weatherproof Housings, RAL7032

71301 / VHM/H220

VHM Window Heater 110-265VAC (PTC Element)



Nutzbare Einbaulänge/Usable internal length

Maße/Dimensions: mm

CamTech Industriel Video ApS
 Your Contact: Sales Department
 Industriparken 4 · 2750 Ballerup
 Phone +45 44 68 02 67 · Fax +45 44 68 60 52
 info@camtech.dk · www.camtech.dk