

Video Security



VHM/STLA

Weatherproof Housing (330mm) w. Heater
Thermostat, Connection Brd, RAL7032, 230VAC

Art-No. 79405



Features

Camera Weatherprotection

Housing Body Length: 330mm

Fold-down Housing Body

4 Levels of Camera Height Adjustment

Insulated Camera Mounting

Integrated Connection Board

Back Part Multi-pin Connection

3 Cable Entries

Screen Heater 230VAC Included

Viewing Screen with "Clear-Shield" Technology

Incorporated Carrier Handle

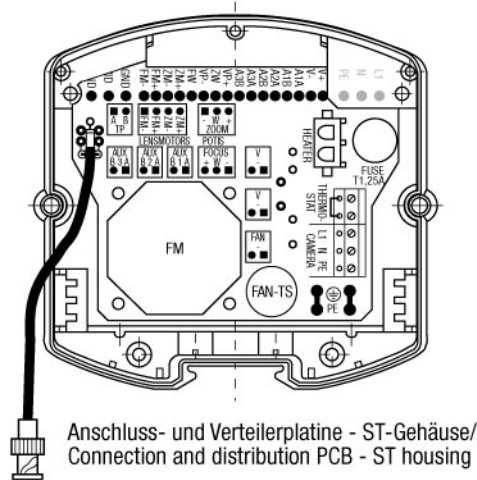
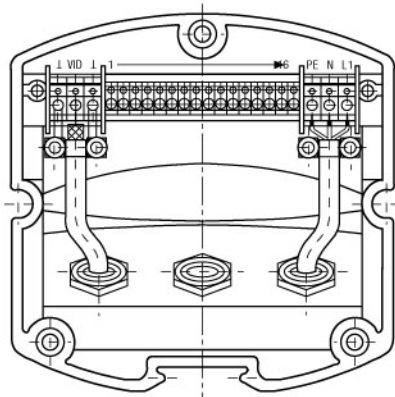
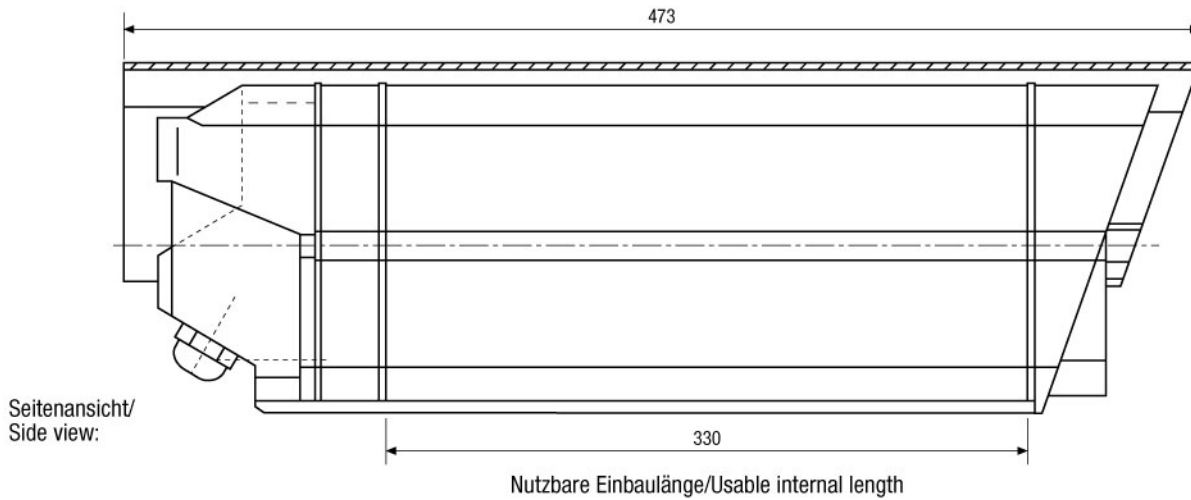
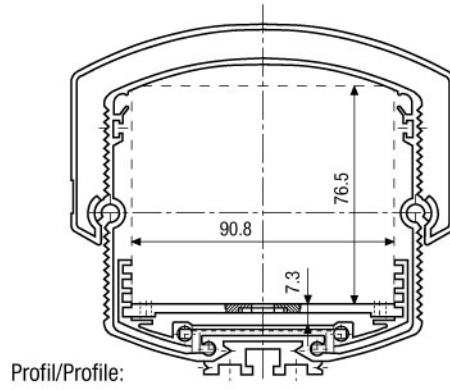
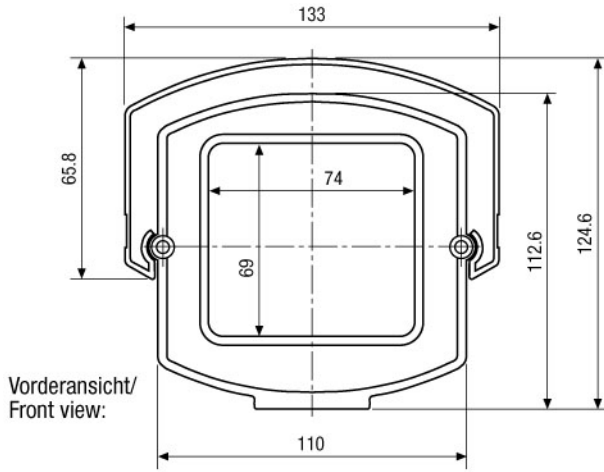
Housing Surface: RAL7032

Specifications

Maximum installation length	330 mm
Length for power supply	NE-112 (1 output): 85 mm; NE-112/2 (2 outputs): 110 mm
Cable entries	3x M16x1.5mm
Internal connection for	Power, video, control cables
Window screen	Coated with "Clear Shield" Technology. With this technology the glass corrosion, caused by environmental pollution, is avoided and screen cleaning cycles will be extended. The coating is UV light resistant, colour neutral and it causes no F-stop loss.
Window heater	110-265V / approx. 9watts
Thermostat	On: +16°C, Off: +20°C
Sunshield	Yes
Housing	Aluminium
Colour	RAL 7032
Protection rating	IP 66
Parts supplied	Screw set, thermostat, screw terminal
Dimensions (HxWxD)	See drawing
Weight	2.9 kg

Accessories

73064 / WD-16/MK	Wall Mount with Swivel Head for VHB/VHM Weatherproof Housings, RAL7032
71601 / VHM/H24	VHM Window Heater 12-30V (PTC Element)
79491 / NE-112/AC24V	Power Supply Unit 230VAC/24VAC (600mA) for VHM Housing
79364 / NE-112	Power Supply Unit 230VAC/12VDC (600mA) for VHM Housing, Regulated
79423 / NE-112/2	Power Supply Unit 230VAC/12VDC (600mA), Regulated, 24VAC (1000mA) f. VHM Housing
72501 / PTB-1	Protocol Translator Board, 12VDC for Build-in VHM/ST Housing Series
79623 / VHM/PC-1	Plug-in shield for VHM/EC&ST Housing Series, 330mm
70457 / AK-3	Camera Connection box, 230VAC Input 24VAC-100W, 12VDC-1A Output



Maße/Dimensions: mm

CamTech Industriel Video ApS
 Your Contact: Sales Department
 Industriparken 4 · 2750 Ballerup
 Phone +45 44 68 02 67 · Fax +45 44 68 60 52
 info@camtech.dk · www.camtech.dk