

Video Security



VHM/ZLB

Weatherproof Housing (330), Central Plug with 24V Heater, RAL7032

Art-No. 79608



Features

Camera Weatherprotection

Housing Body Length: 330mm

Fold-down Housing Body

4 Levels of Camera Height Adjustment

Insulated Camera Mounting

External 30-pin Plug Connector

Cable Connection with Metal Gland M25x1.5mm

Screen Heater 24(12)V Included

Viewing Screen with "Clear-Shield" Technology

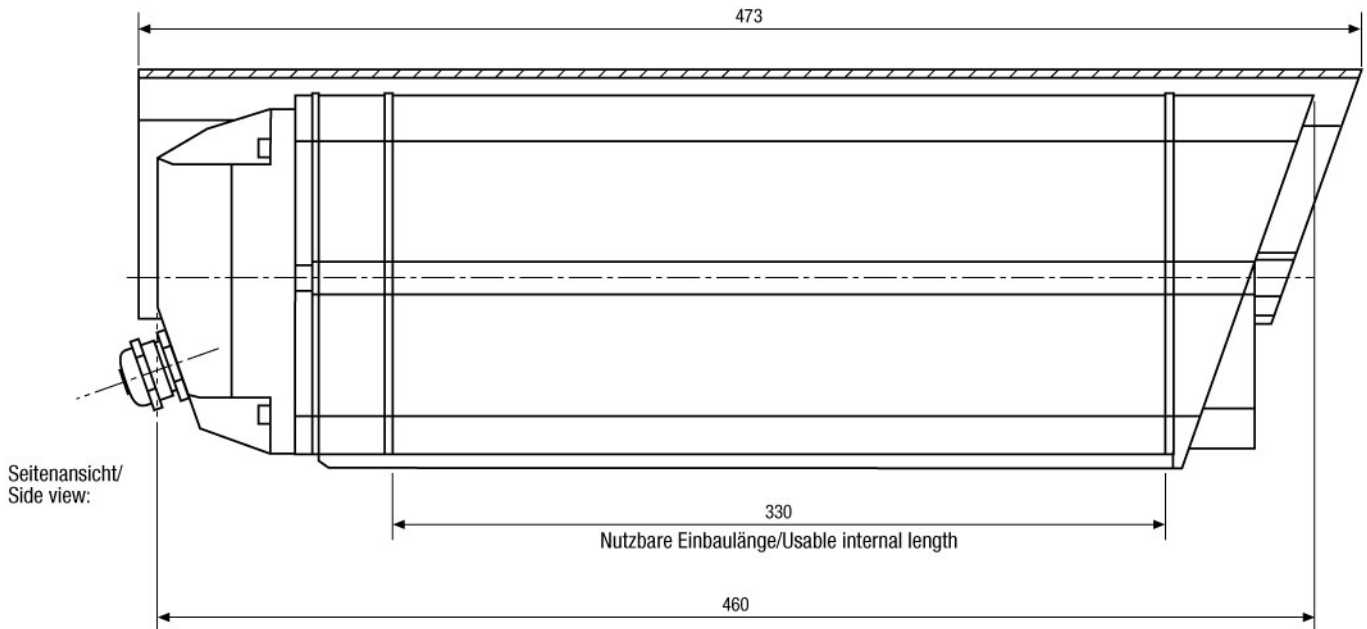
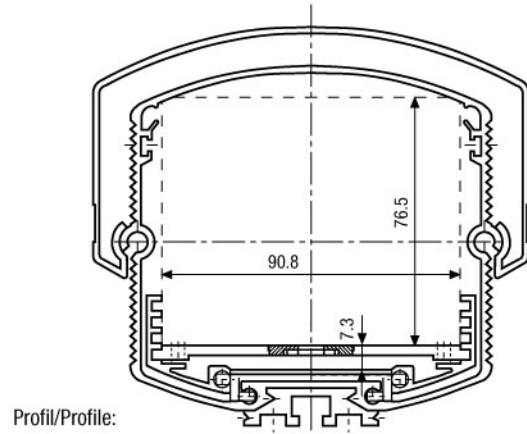
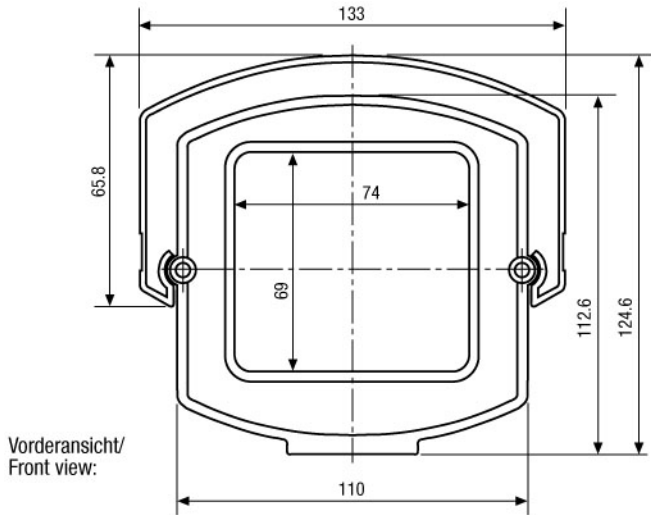
Housing Surface: RAL7032

Specifications

Maximum installation length	330mm
Cable entry	Metal gland M25x1.5mm (for cable diameter 9~17mm)
Cable connection	Mains connection board (see accessories)
Window screen	Coated with "Clear Shield" Technology. With this technology the glass corrosion, caused by environmental pollution, is avoided and screen cleaning cycles will be extended. The coating is UV light resistant, colour neutral and it causes no F-stop loss.
Window heater	24V (changeable to 12V), approx. 6watts
Thermostat	On: +16°C, Off: +20°C (see screw terminal board no. 79609)
Sunshield	Supplied
Housing	Aluminium
Colour	RAL 7032
Protection rating	IP66
Parts supplied	Screw set, Central plug with built-in 30-pin connector
Dimensions (HxWxD)	See drawing
Weight	2.9kg

Accessories

73064 / WD-16/MK	Wall Mount with Swivel Head for VHB/VHM Weatherproof Housings, RAL7032
79609 / VHM/KV1	Cable Connection Board with Thermostat for VHM/Z Housing
87404 / MCAB-1	Camera/PT Head Connecting Cable f. Video Power, RS-Control or Network, 1 Metre
70457 / AK-3	Camera Connection box, 230VAC Input 24VAC-100W, 12VDC-1A Output



Maße/Dimensions: mm

CamTech Industriel Video ApS
 Your Contact: Sales Department
 Industriparken 4 · 2750 Ballerup
 Phone +45 44 68 02 67 · Fax +45 44 68 60 52
 info@camtech.dk · www.camtech.dk