

# Video Security



## WD-7/MK

Wall Mount with Swivel Head for VTL Series Outdoor Housings, black

Art-No. 79790



## Features

For Wall Mounting  
For Weatherproof Housings (VTL Housing Series)  
Rugged Aluminium Construction

Swivel head with Large Adjustment Range  
Ready for Installation

## Specifications

Mounting distance from fixing point	300 mm
Load capacity	5kg
Turning range of the swivel head	360°
Tilt range	Approx. 90°
Material	Aluminium
Colour	Black
Dimensions (HxWxD)	See drawing
Weight	1kg

## Accessories

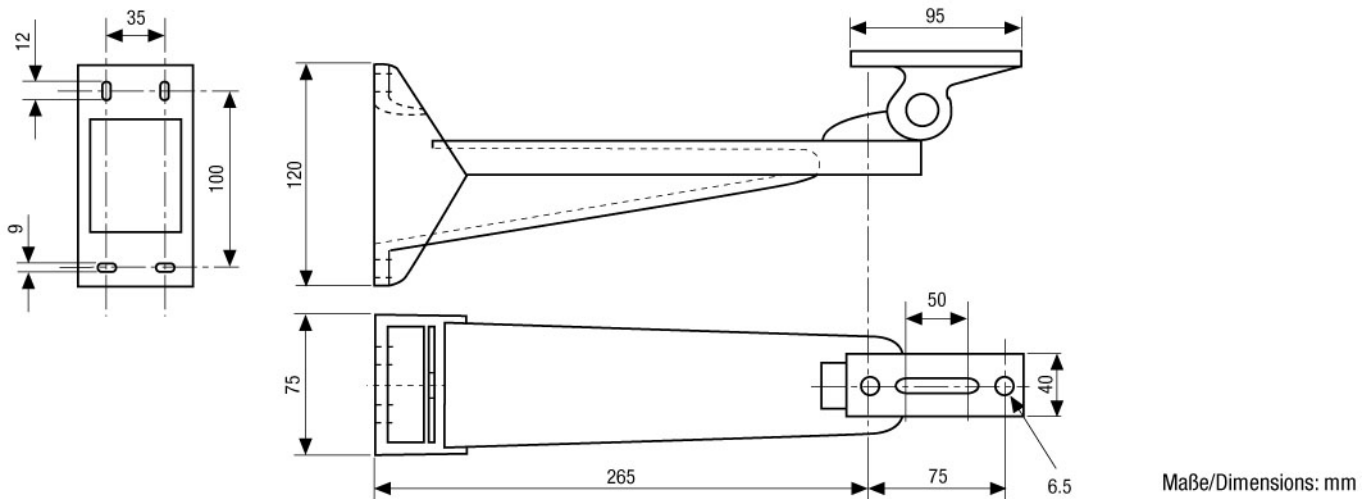
79593 / PM-6D	Pole Mount Adapter for 2 Wall Mounts, (50-140mm Pole), RAL9002
79592 / PM-6S	Pole Mount Adapter for 1 Wall Mount, (50-140mm Pole), RAL9002
79613 / CMA-2	Corner Mount Adapter for Wall Brackets WD-5, WD-7, VTL-WW, VHK-WW, RAL9002

## Accessories of

79484 / VTL-W/N2	Weatherproof Housing (300mm) with Heater/Thermostat, 230VAC
------------------	---

## Product Information

When mounting the wall mount bracket, ensure that only dowels which are approved for this type of construction are used.



CamTech Industriel Video ApS  
Your Contact: Sales Department  
Industriparken 4 · 2750 Ballerup  
Phone +45 44 68 02 67 · Fax +45 44 68 60 52  
info@camtech.dk · www.camtech.dk